



FILTRO RECTO CORTO  
Y FILTERS  
FILTRES Y



## ÍNDICE / INDEX

FILTRO RECTO CORTO  
Y FILTER  
FILTRE Y

- Conexiones / Connections / Connexions:
  - > DIN 11850 (Serie2)
  - > ASME OD
  - > SMS

4  
9  
11

# FILTRO RECTO CORTO Y FILTER FILTRE Y

4

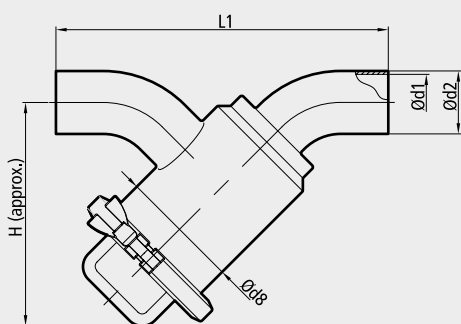
DIN 11850 (Serie 2)

SOLDAR  
WELD ENDS  
À SOUDER

Conexiones según DIN 11850  
Connections according to DIN 11850  
Connexions selon DIN 11850

| DN  | Ød1 | Ød2 | Ød8   | H   | L1  |
|-----|-----|-----|-------|-----|-----|
| 25  | 26  | 29  | 76,2  | 169 | 235 |
| 32  | 32  | 35  | 76,2  | 171 | 242 |
| 40  | 38  | 41  | 101,6 | 196 | 260 |
| 50  | 50  | 53  | 101,6 | 201 | 279 |
| 65  | 66  | 70  | 114,3 | 246 | 319 |
| 80  | 81  | 85  | 114,3 | 252 | 374 |
| 100 | 100 | 104 | 154,0 | 276 | 400 |
| 125 | 125 | 129 | 219,1 | 356 | 667 |
| 150 | 150 | 154 | 219,1 | 368 | 720 |

| Plancha perforada<br>Perforated plate |      |                    |     | Perfil triangular<br>Wedge wire |                    |     |
|---------------------------------------|------|--------------------|-----|---------------------------------|--------------------|-----|
| DN                                    | Size | EPDM               | kg  | Size                            | EPDM               | kg  |
| 25                                    | D0.5 | F0210-000650025005 |     | T05                             | F0210-000652025T05 |     |
|                                       | D1.0 | F0210-000652025010 |     | T10                             | F0210-000652025T10 |     |
|                                       | D2.0 | F0210-000652025020 | 1,5 | T20                             | F0210-000650025T20 | 1,5 |
|                                       | D5.0 | F0210-000652025050 |     | T30                             | F0210-000652025T30 |     |
|                                       | 10x1 | F0210-000650025101 |     | T40                             | F0210-000652025T40 |     |
| 32                                    | D0.5 | F0210-000650032005 |     | T05                             | F0210-000652032T05 |     |
|                                       | D1.0 | F0210-000652032010 |     | T10                             | F0210-000652032T10 |     |
|                                       | D2.0 | F0210-000652032020 | 1,6 | T20                             | F0210-000652032T20 | 1,6 |
|                                       | D5.0 | --                 |     | T30                             | --                 |     |
|                                       | 10x1 | F0210-000650032101 |     | T40                             | --                 |     |
| 40                                    | D0.5 | F0210-000650040005 |     | T05                             | F0210-000652040T05 |     |
|                                       | D1.0 | F0210-000650040010 |     | T10                             | F0210-000652040T10 |     |
|                                       | D2.0 | F0210-000650040020 | 2,5 | T20                             | F0210-000652040T20 | 2,5 |
|                                       | D5.0 | --                 |     | T30                             | --                 |     |
|                                       | 10x1 | F0210-000650040101 |     | T40                             | F0210-000652040T40 |     |
| 50                                    | D0.5 | F0210-000650050005 |     | T05                             | F0210-000652050T05 |     |
|                                       | D1.0 | F0210-000652050010 |     | T10                             | F0210-000652050T10 |     |
|                                       | D2.0 | F0210-000652050020 | 2,5 | T20                             | F0210-000652050T20 | 2,5 |
|                                       | D5.0 | F0210-000650050050 |     | T30                             | F0210-000652050T30 |     |
|                                       | 10x1 | F0210-000650050101 |     | T40                             | F0210-000652050T40 |     |
| 65                                    | D0.5 | F0210-000650065005 |     | T05                             | F0210-000652065T05 |     |
|                                       | D1.0 | F0210-000650065010 |     | T10                             | F0210-000652065T10 |     |
|                                       | D2.0 | F0210-000650065020 | 3,5 | T20                             | F0210-000652065T20 | 3,5 |
|                                       | D5.0 | F0210-000650065050 |     | T30                             | F0210-000652065T30 |     |
|                                       | 10x1 | F0210-000650065101 |     | T40                             | F0210-000652065T40 |     |
| 80                                    | D0.5 | F0210-000650080005 |     | T05                             | F0210-000652080T05 |     |
|                                       | D1.0 | F0210-000652080010 |     | T10                             | F0210-000652080T10 |     |
|                                       | D2.0 | F0210-000652080020 | 3,8 | T20                             | F0210-000652080T20 | 3,8 |
|                                       | D5.0 | F0210-000652080050 |     | T30                             | F0210-000652080T30 |     |
|                                       | 10x1 | F0210-000650080101 |     | T40                             | F0210-000652080T40 |     |



70.14048.32.095

# FILTRO RECTO CORTO Y FILTER FILTRE Y



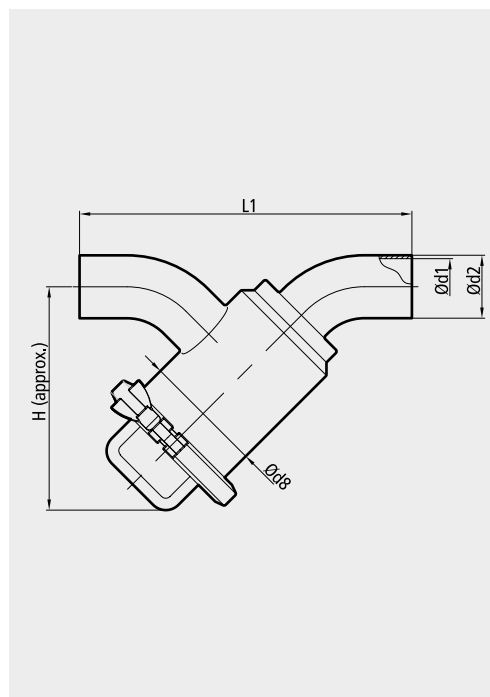
DIN 11850 (Serie 2)

5

SOLDAR  
WELD ENDS  
À SOUDER

Conexiones según DIN 11850  
Connections according to DIN 11850  
Connexions selon DIN 11850

| Plancha perforada<br>Perforated plate |      |                    |      | Perfil triangular<br>Wedge wire |                    |     |
|---------------------------------------|------|--------------------|------|---------------------------------|--------------------|-----|
| DN                                    | Size | EPDM               | kg   | Size                            | EPDM               | kg  |
| 100                                   | D0.5 | F0210-000650100005 | 6,5  | T05                             | F0210-000652100T05 | 7,4 |
|                                       | D1.0 | F0210-000652100010 |      | T10                             | F0210-000652100T10 |     |
|                                       | D2.0 | F0210-000652100020 |      | T20                             | F0210-000652100T20 |     |
|                                       | D5.0 | F0210-000652100050 |      | T30                             | F0210-000652100T30 |     |
|                                       | 10x1 | F0210-000650100101 |      | T40                             | F0210-000652100T40 |     |
| 125                                   | D0.5 | F0210-000652125005 | 17,3 | T05                             | --                 | --  |
|                                       | D1.0 | F0210-000652125010 |      | T10                             | --                 |     |
|                                       | D2.0 | --                 |      | T20                             | --                 |     |
|                                       | D5.0 | F0210-000652125050 |      | T30                             | --                 |     |
|                                       | 10x1 | --                 |      | T40                             | --                 |     |
| 150                                   | D0.5 | F0210-000652150005 | 18,4 | T05                             | --                 | --  |
|                                       | D1.0 | F0210-000652150010 |      | T10                             | --                 |     |
|                                       | D2.0 | --                 |      | T20                             | --                 |     |
|                                       | D5.0 | F0210-000652150050 |      | T30                             | --                 |     |
|                                       | 10x1 | --                 |      | T40                             | --                 |     |



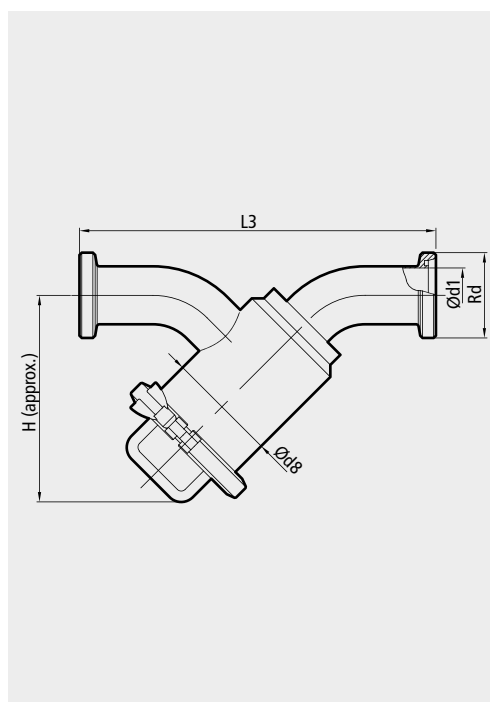
70.14048.32.095

MACHO / MACHO  
MALE / MALE  
MÂLE / MÂLE

Conexiones según DIN 11851  
Connections according to DIN 11851  
Connexions selon DIN 11851

| DN  | Ød1 | Rd         | Ød8   | H   | L3  |
|-----|-----|------------|-------|-----|-----|
| 25  | 26  | 52 x 1/6"  | 76,2  | 169 | 279 |
| 32  | 32  | 58 x 1/6"  | 76,2  | 171 | 286 |
| 40  | 38  | 65 x 1/6"  | 101,6 | 196 | 304 |
| 50  | 50  | 78 x 1/6"  | 101,6 | 201 | 325 |
| 65  | 66  | 95 x 1/6"  | 114,3 | 246 | 369 |
| 80  | 81  | 110 x 1/4" | 114,3 | 252 | 424 |
| 100 | 100 | 130 x 1/4" | 154,0 | 276 | 460 |
| 125 | 125 | 160 x 1/4" | 219,1 | 356 | 737 |
| 150 | 150 | 190 x 1/4" | 219,1 | 368 | 800 |

| Plancha perforada<br>Perforated plate |      |                    |     | Perfil triangular<br>Wedge wire |                    |     |
|---------------------------------------|------|--------------------|-----|---------------------------------|--------------------|-----|
| DN                                    | Size | EPDM               | kg  | Size                            | EPDM               | kg  |
| 25                                    | D0.5 | F0210-110650025005 | 1,8 | T05                             | F0210-110652025T05 | 1,8 |
|                                       | D1.0 | F0210-110652025010 |     | T10                             | --                 |     |
|                                       | D2.0 | F0210-110652025020 |     | T20                             | --                 |     |
|                                       | D5.0 | F0210-110652025050 |     | T30                             | F0210-110652025T30 |     |
|                                       | 10x1 | F0210-110650025101 |     | T40                             | F0210-110652025T40 |     |



70.14048.32.097

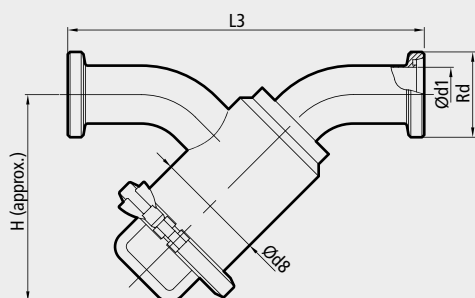
# FILTRO RECTO CORTO Y FILTER FILTRE Y

6

DIN 11850 (Serie 2)

MACHO / MACHO  
MALE / MALE  
MÂLE / MÂLE

Conexiones según DIN 11851  
Connections according to DIN 11851  
Connexions selon DIN 11851



| Plancha perforada<br>Perforated plate |      |                    |     | Perfil triangular<br>Wedge wire |                    |    |
|---------------------------------------|------|--------------------|-----|---------------------------------|--------------------|----|
| DN                                    | Size | EPDM               | kg  | Size                            | EPDM               | kg |
| 32                                    | D0.5 | F0210-110650032005 | 1,9 | T05                             | --                 |    |
|                                       | D1.0 | F0210-110650032010 |     | T10                             | --                 |    |
|                                       | D2.0 | F0210-110652032020 |     | T20                             | --                 |    |
|                                       | D5.0 | --                 |     | T30                             | --                 |    |
|                                       | 10x1 | F0210-110650032101 |     | T40                             | F0210-110652032T40 |    |
| 40                                    | D0.5 | F0210-110650040005 | 2,8 | T05                             | --                 |    |
|                                       | D1.0 | F0210-110652040010 |     | T10                             | F0210-110652040T10 |    |
|                                       | D2.0 | F0210-110652040020 |     | T20                             | --                 |    |
|                                       | D5.0 | F0210-110652040050 |     | T30                             | F0210-110652040T30 |    |
|                                       | 10x1 | F0210-110650040101 |     | T40                             | --                 |    |
| 50                                    | D0.5 | F0210-110650050005 | 3,0 | T05                             | F0210-110652050T05 |    |
|                                       | D1.0 | F0210-110652050010 |     | T10                             | F0210-110650050T10 |    |
|                                       | D2.0 | F0210-110652050020 |     | T20                             | F0210-110652050T20 |    |
|                                       | D5.0 | F0210-110652050050 |     | T30                             | F0210-110652050T30 |    |
|                                       | 10x1 | F0210-110650050101 |     | T40                             | --                 |    |
| 65                                    | D0.5 | F0210-110650065005 | 4,1 | T05                             | F0210-110652065T05 |    |
|                                       | D1.0 | F0210-110652065010 |     | T10                             | F0210-110652065T10 |    |
|                                       | D2.0 | F0210-110652065020 |     | T20                             | F0210-110652065T20 |    |
|                                       | D5.0 | F0210-110652065050 |     | T30                             | F0210-110652065T30 |    |
|                                       | 10x1 | F0210-110650065101 |     | T40                             | F0210-110652065T40 |    |
| 80                                    | D0.5 | F0210-110650080005 | 4,8 | T05                             | F0210-110652080T05 |    |
|                                       | D1.0 | F0210-110650080010 |     | T10                             | F0210-110652080T10 |    |
|                                       | D2.0 | F0210-110652080020 |     | T20                             | F0210-110652080T20 |    |
|                                       | D5.0 | --                 |     | T30                             | F0210-110652080T30 |    |
|                                       | 10x1 | F0210-110650080101 |     | T40                             | --                 |    |
| 100                                   | D0.5 | F0210-110650100005 | 7,6 | T05                             | F0210-110652100T05 |    |
|                                       | D1.0 | F0210-110652100010 |     | T10                             | F0210-110652100T10 |    |
|                                       | D2.0 | F0210-110652100020 |     | T20                             | F0210-110652100T20 |    |
|                                       | D5.0 | F0210-110652100050 |     | T30                             | --                 |    |
|                                       | 10x1 | F0210-110650100101 |     | T40                             | --                 |    |
| 125                                   | D0.5 | --                 |     | T05                             | --                 |    |
|                                       | D1.0 | --                 |     | T10                             | --                 |    |
|                                       | D2.0 | --                 |     | T20                             | --                 |    |
|                                       | D5.0 | --                 |     | T30                             | --                 |    |
|                                       | 10x1 | --                 |     | T40                             | --                 |    |
| 150                                   | D0.5 | --                 |     | T05                             | --                 |    |
|                                       | D1.0 | --                 |     | T10                             | --                 |    |
|                                       | D2.0 | --                 |     | T20                             | --                 |    |
|                                       | D5.0 | --                 |     | T30                             | --                 |    |
|                                       | 10x1 | --                 |     | T40                             | --                 |    |

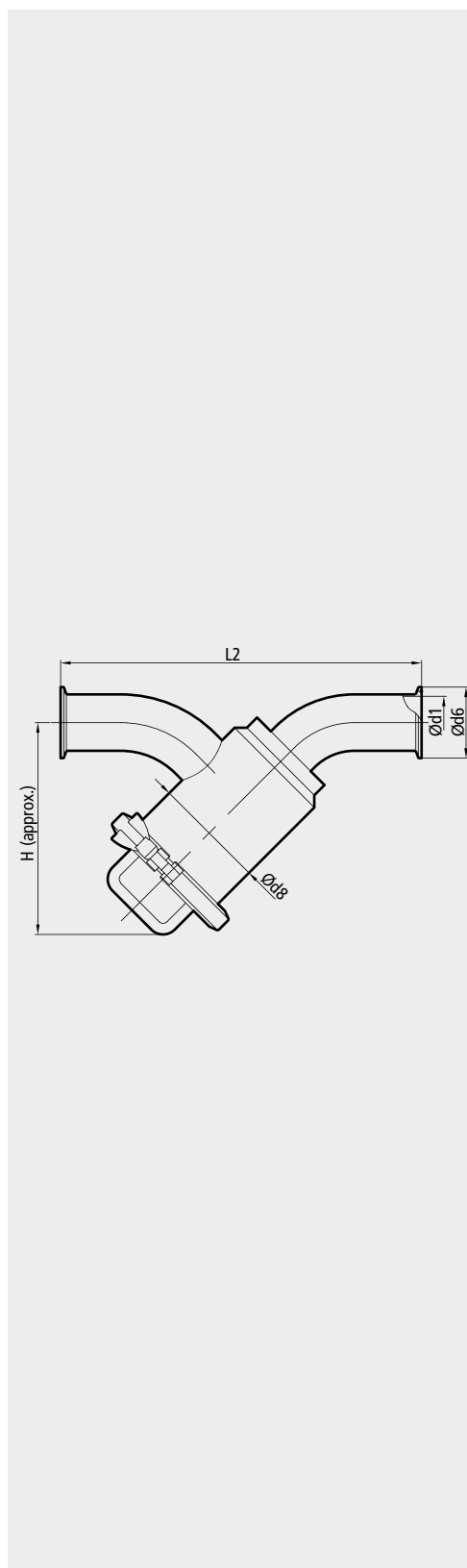
70.14048.32.097

CLAMP/ CLAMP  
CLAMP / CLAMP  
CLAMP / CLAMP

Conexiones según DIN 32676  
Connections according to DIN 32676  
Connexions selon DIN 32676

| DN  | Ød1 | Ød6  | Ø d8  | H   | L2  |
|-----|-----|------|-------|-----|-----|
| 25  | 26  | 50,5 | 76,2  | 169 | 278 |
| 32  | 32  | 50,5 | 76,2  | 171 | 285 |
| 40  | 38  | 50,5 | 101,6 | 196 | 303 |
| 50  | 50  | 64   | 101,6 | 201 | 322 |
| 65  | 66  | 91   | 114,3 | 246 | 375 |
| 80  | 81  | 106  | 114,3 | 252 | 430 |
| 100 | 100 | 119  | 154,0 | 276 | 456 |
| 125 | 125 | 155  | 219,1 | 356 | 723 |
| 150 | 150 | 183  | 219,1 | 368 | 776 |

| DN | Plancha perforada<br>Perforated plate |                    |     | Perfil triangular<br>Wedge wire |                    |     |
|----|---------------------------------------|--------------------|-----|---------------------------------|--------------------|-----|
|    | Size                                  | EPDM               | kg  | Size                            | EPDM               | kg  |
| 25 | D0.5                                  | F0210-770652025005 | 1,6 | T05                             | F0210-770652025T05 | 1,6 |
|    | D1.0                                  | --                 |     |                                 |                    |     |
|    | D2.0                                  | --                 |     |                                 |                    |     |
|    | D5.0                                  | --                 |     |                                 |                    |     |
|    | 10x1                                  | --                 |     |                                 |                    |     |
| 32 | D0.5                                  | --                 | --  | T05                             | F0210-770652032T05 | 1,6 |
|    | D1.0                                  | --                 |     |                                 |                    |     |
|    | D2.0                                  | --                 |     |                                 |                    |     |
|    | D5.0                                  | --                 |     |                                 |                    |     |
|    | 10x1                                  | --                 |     |                                 |                    |     |
| 40 | D0.5                                  | F0210-770652040005 | 2,6 | T05                             | --                 | --  |
|    | D1.0                                  | --                 |     |                                 |                    |     |
|    | D2.0                                  | --                 |     |                                 |                    |     |
|    | D5.0                                  | F0210-770652040050 |     |                                 |                    |     |
|    | 10x1                                  | --                 |     |                                 |                    |     |
| 50 | D0.5                                  | F0210-770652050005 | 2,7 | T05                             | F0210-770652050T05 | 2,7 |
|    | D1.0                                  | --                 |     |                                 |                    |     |
|    | D2.0                                  | F0210-770652050020 |     |                                 |                    |     |
|    | D5.0                                  | F0210-770652050050 |     |                                 |                    |     |
|    | 10x1                                  | --                 |     |                                 |                    |     |
| 65 | D0.5                                  | --                 | --  | T05                             | --                 | 3,7 |
|    | D1.0                                  | --                 |     |                                 |                    |     |
|    | D2.0                                  | --                 |     |                                 |                    |     |
|    | D5.0                                  | --                 |     |                                 |                    |     |
|    | 10x1                                  | --                 |     |                                 |                    |     |
| 80 | D0.5                                  | F0210-770652080005 | 4,2 | T05                             | F0210-770652080T05 | 4,2 |
|    | D1.0                                  | --                 |     |                                 |                    |     |
|    | D2.0                                  | --                 |     |                                 |                    |     |
|    | D5.0                                  | --                 |     |                                 |                    |     |
|    | 10x1                                  | --                 |     |                                 |                    |     |



70.14048.32.096

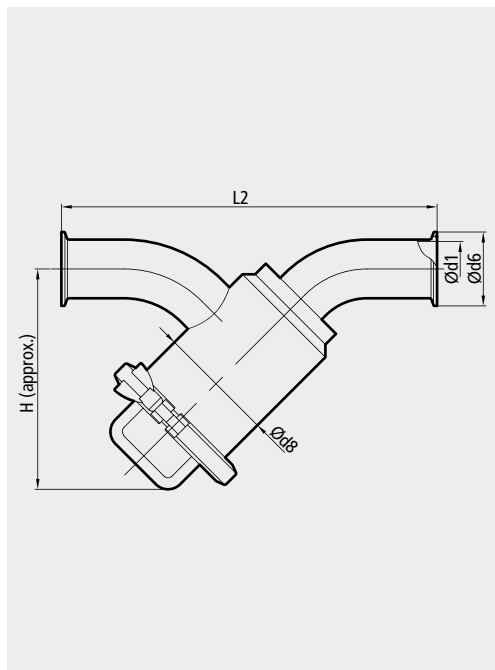
# FILTRO RECTO CORTO Y FILTER FILTRE Y

8

DIN 11850 (Serie 2)

CLAMP/ CLAMP  
CLAMP / CLAMP  
CLAMP / CLAMP

Conexiones según DIN 32676  
Connections according to DIN 32676  
Connexions selon DIN 32676



| DN  | Plancha perforada<br>Perforated plate |                    |     | Perfil triangular<br>Wedge wire |                    |     |
|-----|---------------------------------------|--------------------|-----|---------------------------------|--------------------|-----|
|     | Size                                  | EPDM               | kg  | Size                            | EPDM               | kg  |
| 100 | D0.5                                  | F0210-770652100005 |     | T05                             | F0210-770652100T10 |     |
|     | D1.0                                  | --                 |     | T10                             | --                 |     |
|     | D2.0                                  | --                 | 6,9 | T20                             | --                 | 7,8 |
|     | D5.0                                  | --                 |     | T30                             | --                 |     |
|     | 10x1                                  | --                 |     | T40                             | --                 |     |
| 125 | D0.5                                  | --                 |     | T05                             | --                 |     |
|     | D1.0                                  | --                 |     | T10                             | --                 |     |
|     | D2.0                                  | --                 | --  | T20                             | --                 | --  |
|     | D5.0                                  | --                 |     | T30                             | --                 |     |
|     | 10x1                                  | --                 |     | T40                             | --                 |     |
| 150 | D0.5                                  | --                 |     | T05                             | --                 |     |
|     | D1.0                                  | --                 |     | T10                             | --                 |     |
|     | D2.0                                  | --                 | --  | T20                             | --                 | --  |
|     | D5.0                                  | --                 |     | T30                             | --                 |     |
|     | 10x1                                  | --                 |     | T40                             | --                 |     |

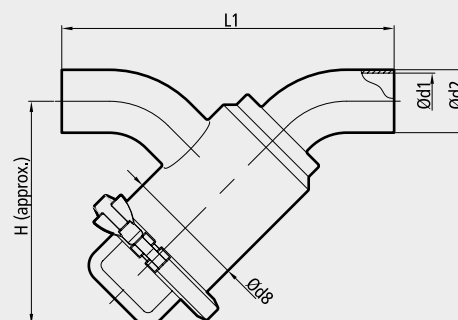


SOLDAR  
WELD ENDS  
À SOUDER

Conexiones según ASME OD  
Connections according to ASME OD  
Connexions selon ASME OD

| DN     | Ød1  | Ød2   | Ød8   | H   | L1  |
|--------|------|-------|-------|-----|-----|
| 1"     | 22,1 | 25,4  | 76,2  | 169 | 214 |
| 1 1/2" | 34,8 | 38,1  | 101,6 | 196 | 243 |
| 2"     | 47,5 | 50,8  | 101,6 | 201 | 300 |
| 2 1/2" | 60,2 | 63,5  | 114,3 | 246 | 346 |
| 3"     | 72,9 | 76,2  | 114,3 | 252 | 378 |
| 4"     | 97,4 | 101,6 | 154,0 | 276 | 470 |

| Plancha perforada<br>Perforated plate |      |                    |     | Perfil triangular<br>Wedge wire |                    |     |
|---------------------------------------|------|--------------------|-----|---------------------------------|--------------------|-----|
| DN                                    | Size | EPDM               | kg  | Size                            | EPDM               | kg  |
| 1"                                    | D0.5 | F1210-000650025005 | 1,7 | T05                             | F1210-000652025T05 | 1,7 |
|                                       | D1.0 | F1210-000650025010 |     | T10                             | F1210-000652025T10 |     |
|                                       | D2.0 | F1210-000652025020 |     | T20                             | F1210-000652025T20 |     |
|                                       | D5.0 | F1210-000650025050 |     | T30                             | F1210-000652025T30 |     |
|                                       | 10x1 | --                 |     | T40                             | F1210-000652025T40 |     |
| 1 1/2"                                | D0.5 | F1210-000650040005 | 2,9 | T05                             | F1210-000652040T05 | 2,9 |
|                                       | D1.0 | F1210-000650040010 |     | T10                             | F1210-000652040T10 |     |
|                                       | D2.0 | F1210-000652040020 |     | T20                             | F1210-000652040T20 |     |
|                                       | D5.0 | F1210-000652040050 |     | T30                             | --                 |     |
|                                       | 10x1 | F1210-000652040101 |     | T40                             | F1210-000652040T40 |     |
| 2"                                    | D0.5 | F1210-000650050005 | 3,2 | T05                             | F1210-000652050T05 | 3,2 |
|                                       | D1.0 | F1210-000652050010 |     | T10                             | F1210-000652050T10 |     |
|                                       | D2.0 | F1210-000650050020 |     | T20                             | F1210-000652050T20 |     |
|                                       | D5.0 | F1210-000652050050 |     | T30                             | --                 |     |
|                                       | 10x1 | F1210-000652050101 |     | T40                             | F1210-000652050T40 |     |
| 2 1/2"                                | D0.5 | F1210-000650063005 | 3,8 | T05                             | F1210-000652063T05 | 3,8 |
|                                       | D1.0 | F1210-000652063010 |     | T10                             | F1210-000652063T10 |     |
|                                       | D2.0 | F1210-000652063020 |     | T20                             | F1210-000652063T20 |     |
|                                       | D5.0 | --                 |     | T30                             | F1210-000652063T30 |     |
|                                       | 10x1 | F1210-000652063101 |     | T40                             | --                 |     |
| 3"                                    | D0.5 | F1210-000650076005 | 4,1 | T05                             | F1210-000652076T05 | 4,1 |
|                                       | D1.0 | F1210-000650076010 |     | T10                             | F1210-000652076T10 |     |
|                                       | D2.0 | F1210-000652076020 |     | T20                             | F1210-000652076T20 |     |
|                                       | D5.0 | F1210-000652076050 |     | T30                             | F1210-000652076T30 |     |
|                                       | 10x1 | F1210-000652076101 |     | T40                             | F1210-000652076T40 |     |
| 4"                                    | D0.5 | F1210-000650100005 | 7,0 | T05                             | --                 | 7,3 |
|                                       | D1.0 | F1210-000652100010 |     | T10                             | F1210-000652100T10 |     |
|                                       | D2.0 | F1210-000652100020 |     | T20                             | F1210-000652100T20 |     |
|                                       | D5.0 | F1210-000652100050 |     | T30                             | --                 |     |
|                                       | 10x1 | --                 |     | T40                             | F1210-000652100T40 |     |



# FILTRO RECTO CORTO Y FILTER FILTRE Y

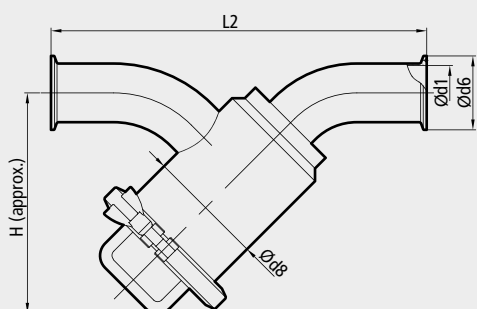
10

ASME OD

CLAMP/ CLAMP  
CLAMP / CLAMP  
CLAMP / CLAMP

Conexiones según ASME OD  
Connections according to ASME OD  
Connexions selon ASME OD

| DN     | Ød1  | Ød6  | Ød8   | H   | L2    |
|--------|------|------|-------|-----|-------|
| 1"     | 22,1 | 50,5 | 76,2  | 169 | 239,4 |
| 1 1/2" | 34,8 | 50,5 | 101,6 | 196 | 268,4 |
| 2"     | 47,5 | 64   | 101,6 | 201 | 325,4 |
| 2 1/2" | 60,2 | 77,5 | 114,3 | 246 | 371,4 |
| 3"     | 72,9 | 91   | 114,3 | 252 | 403,4 |
| 4"     | 97,4 | 119  | 154,0 | 276 | 501,8 |



| Plancha perforada<br>Perforated plate |      |                    |     | Perfil triangular<br>Wedge wire |                    |     |  |
|---------------------------------------|------|--------------------|-----|---------------------------------|--------------------|-----|--|
| DN                                    | Size | EPDM               | kg  | Size                            | EPDM               | kg  |  |
| 1"                                    | D0.5 | F1210-770650025005 |     | T05                             | F1210-770652025T05 |     |  |
|                                       | D1.0 | F1210-770652025010 |     | T10                             | F1210-770652025T10 |     |  |
|                                       | D2.0 | --                 | 1,9 | T20                             | F1210-770652025T20 | 1,9 |  |
|                                       | D5.0 | F1210-770652025050 |     | T30                             | F1210-770652025T30 |     |  |
|                                       | 10x1 | F1210-770652025101 |     | T40                             | F1210-770652025T40 |     |  |
| 1 1/2"                                | D0.5 | F1210-770650040005 |     | T05                             | F1210-770652038T05 |     |  |
|                                       | D1.0 | F1210-770652040010 |     | T10                             | F1210-770652040T10 |     |  |
|                                       | D2.0 | F1210-770652040020 | 3,2 | T20                             | F1210-770652040T20 | 3,2 |  |
|                                       | D5.0 | F1210-770652040050 |     | T30                             | --                 |     |  |
|                                       | 10x1 | --                 |     | T40                             | --                 |     |  |
| 2"                                    | D0.5 | F1210-770650050005 |     | T05                             | F1210-770652050T05 |     |  |
|                                       | D1.0 | F1210-770652050010 |     | T10                             | F1210-770652050T10 |     |  |
|                                       | D2.0 | F1210-770650050020 | 3,3 | T20                             | F1210-770652050T20 | 3,3 |  |
|                                       | D5.0 | F1210-770652050050 |     | T30                             | F1210-770652050T30 |     |  |
|                                       | 10x1 | F1210-770650050101 |     | T40                             | F1210-770652050T40 |     |  |
| 2 1/2"                                | D0.5 | F1210-770650063005 |     | T05                             | F1210-770652063T05 |     |  |
|                                       | D1.0 | F1210-770652063010 |     | T10                             | F1210-770652063T10 |     |  |
|                                       | D2.0 | --                 | 4,3 | T20                             | F1210-770652063T20 | 4,3 |  |
|                                       | D5.0 | F1210-770652063050 |     | T30                             | F1210-770652063T30 |     |  |
|                                       | 10x1 | --                 |     | T40                             | --                 |     |  |
| 3"                                    | D0.5 | F1210-770650076005 |     | T05                             | F1210-770652076T10 |     |  |
|                                       | D1.0 | F1210-770652076010 |     | T10                             | F1210-770652076T20 |     |  |
|                                       | D2.0 | F1210-770652076020 | 4,7 | T20                             | F1210-770652076T30 | 4,7 |  |
|                                       | D5.0 | F1210-770652076050 |     | T30                             | F1210-770652076T40 |     |  |
|                                       | 10x1 | F1210-770652076101 |     | T40                             | --                 |     |  |
| 4"                                    | D0.5 | F1210-770650100005 |     | T05                             | --                 |     |  |
|                                       | D1.0 | F1210-770652100010 |     | T10                             | F1210-770652100T10 |     |  |
|                                       | D2.0 | F1210-770652100020 | 7,0 | T20                             | F1210-770652100T20 | 7,7 |  |
|                                       | D5.0 | F1210-770652150050 |     | T30                             | --                 |     |  |
|                                       | 10x1 | --                 |     | T40                             | --                 |     |  |

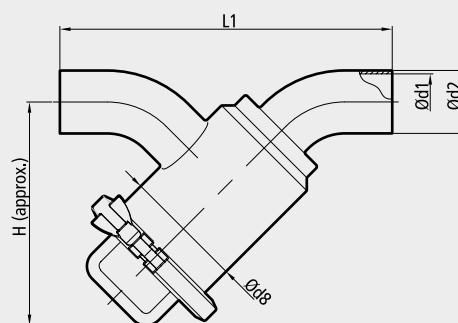
70.14048.32.096

SOLDAR  
WELD ENDS  
À SOUDER

Conexiones según SMS  
Connections according to SMS  
Connexions selon SMS

| DN    | Ød1  | Ød2   | Ød8   | H   | L1  |
|-------|------|-------|-------|-----|-----|
| 25    | 22,1 | 25,4  | 76,2  | 169 | 214 |
| 38    | 34,8 | 38,1  | 101,6 | 196 | 243 |
| 51    | 47,5 | 50,8  | 101,6 | 201 | 300 |
| 63,5  | 60,2 | 63,5  | 114,3 | 246 | 346 |
| 76    | 72,9 | 76,2  | 114,3 | 252 | 378 |
| 101,6 | 97,4 | 101,6 | 154,0 | 276 | 470 |
| 104   | 100  | 104   | 154,0 | 276 | 400 |

| Plancha perforada<br>Perforated plate |      |                    |     | Perfil triangular<br>Wedge wire |                    |     |
|---------------------------------------|------|--------------------|-----|---------------------------------|--------------------|-----|
| DN                                    | Size | EPDM               | kg  | Size                            | EPDM               | kg  |
| 25                                    | D0.5 | F1210-000650025005 | 1,7 | T05                             | F1210-000652025T05 | 1,7 |
|                                       | D1.0 | F1210-000650025010 |     | T10                             | F1210-000652025T10 |     |
|                                       | D2.0 | F1210-000652025020 |     | T20                             | F1210-000652025T20 |     |
|                                       | D5.0 | F1210-000650025050 |     | T30                             | F1210-000652025T30 |     |
|                                       | 10x1 | --                 |     | T40                             | F1210-000652025T40 |     |
| 38                                    | D0.5 | F1210-000650040005 | 2,9 | T05                             | F1210-000652040T05 | 2,9 |
|                                       | D1.0 | F1210-000650040010 |     | T10                             | F1210-000652040T10 |     |
|                                       | D2.0 | F1210-000652040020 |     | T20                             | F1210-000652040T20 |     |
|                                       | D5.0 | F1210-000652040050 |     | T30                             | --                 |     |
|                                       | 10x1 | F1210-000652040101 |     | T40                             | F1210-000652040T40 |     |
| 51                                    | D0.5 | F1210-000650050005 | 3,2 | T05                             | F1210-000652050T05 | 3,2 |
|                                       | D1.0 | F1210-000652050010 |     | T10                             | F1210-000652050T10 |     |
|                                       | D2.0 | F1210-000650050020 |     | T20                             | F1210-000652050T20 |     |
|                                       | D5.0 | F1210-000652050050 |     | T30                             | --                 |     |
|                                       | 10x1 | F1210-000652050101 |     | T40                             | F1210-000652050T40 |     |
| 63,5                                  | D0.5 | F1210-000650063005 | 3,8 | T05                             | F1210-000652063T05 | 3,8 |
|                                       | D1.0 | F1210-000652063010 |     | T10                             | F1210-000652063T10 |     |
|                                       | D2.0 | F1210-000652063020 |     | T20                             | F1210-000652063T20 |     |
|                                       | D5.0 | --                 |     | T30                             | F1210-000652063T30 |     |
|                                       | 10x1 | F1210-000652063101 |     | T40                             | --                 |     |
| 76                                    | D0.5 | F1210-000650076005 | 4,1 | T05                             | F1210-000652076T05 | 4,1 |
|                                       | D1.0 | F1210-000650076010 |     | T10                             | F1210-000652076T10 |     |
|                                       | D2.0 | F1210-000652076020 |     | T20                             | F1210-000652076T20 |     |
|                                       | D5.0 | F1210-000652076050 |     | T30                             | F1210-000652076T30 |     |
|                                       | 10x1 | F1210-000652076101 |     | T40                             | F1210-000652076T40 |     |
| 101,6                                 | D0.5 | F1210-000650100005 | 7,0 | T05                             | --                 | 7,3 |
|                                       | D1.0 | F1210-000652100010 |     | T10                             | F1210-000652100T10 |     |
|                                       | D2.0 | F1210-000652100020 |     | T20                             | F1210-000652100T20 |     |
|                                       | D5.0 | F1210-000652100050 |     | T30                             | --                 |     |
|                                       | 10x1 | --                 |     | T40                             | F1210-000652100T40 |     |

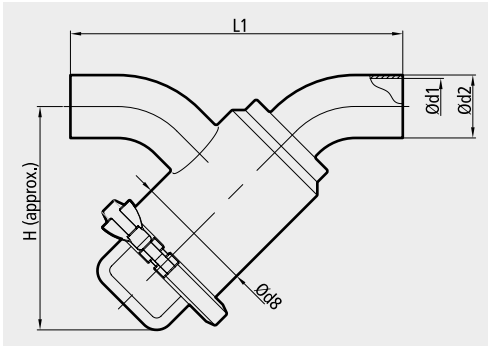


# FILTRO RECTO CORTO Y FILTER FILTRE Y

12

SMS

70.14048.32.095



SOLDAR  
WELD ENDS  
À SOUDER

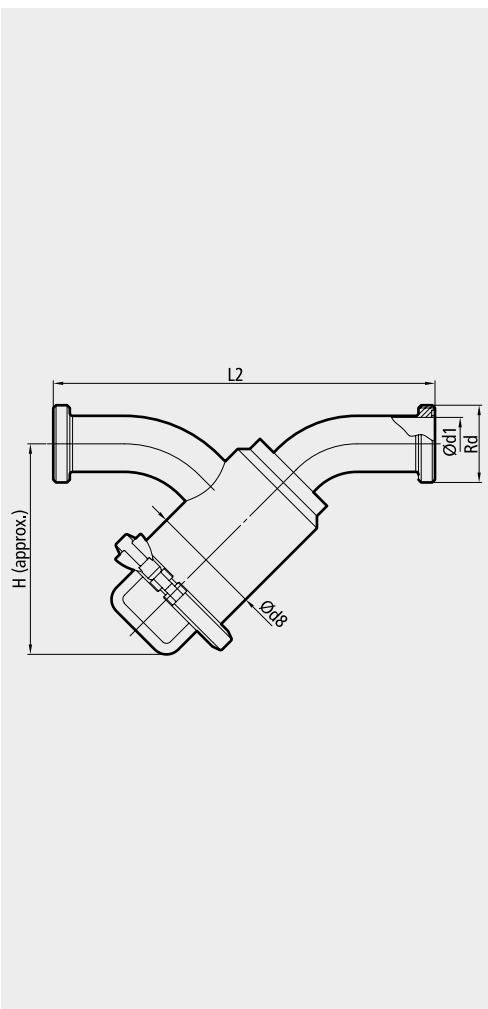
Conexiones según SMS  
Connections according to SMS  
Connexions selon SMS

| Plancha perforada<br>Perforated plate |      |                    |     | Perfil triangular<br>Wedge wire |                    |     |
|---------------------------------------|------|--------------------|-----|---------------------------------|--------------------|-----|
| DN                                    | Size | EPDM               | kg  | Size                            | EPDM               | kg  |
|                                       | D0.5 | F0210-000650100005 |     | T05                             | F0210-000652100T05 |     |
|                                       | D1.0 | F0210-000652100010 |     | T10                             | F0210-000652100T10 |     |
| <b>104</b>                            | D2.0 | F0210-000652100020 | 6,5 | T20                             | F0210-000652100T20 | 7,4 |
|                                       | D5.0 | F0210-000652100050 |     | T30                             | F0210-000652100T30 |     |
|                                       | 10x1 | F0210-000650100101 |     | T40                             | F0210-000652100T40 |     |

MACHO / MACHO  
MALE / MALE  
MÂLE / MÂLE

Conexiones según SMS  
Connections according to SMS  
Connexions selon SMS

70.14048.32.098



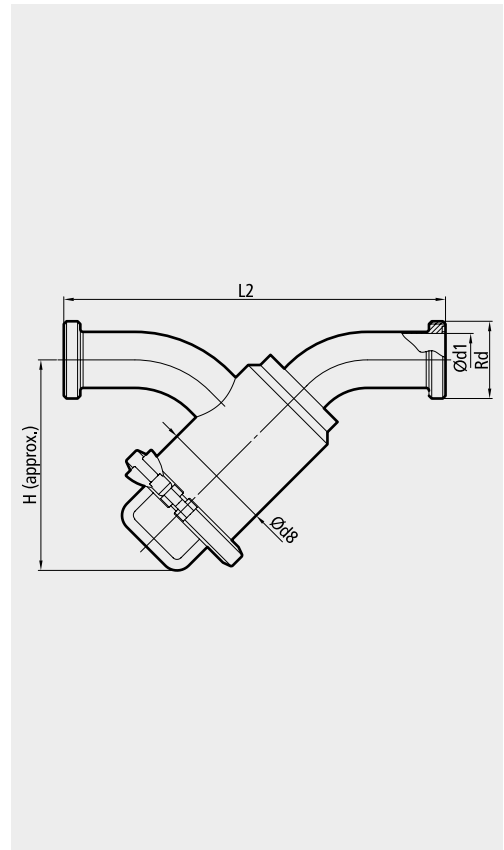
| DN           | Ød1  | Rd         | Ød8   | H   | L2  |
|--------------|------|------------|-------|-----|-----|
| <b>25</b>    | 22,5 | 40 x 1/6"  | 76,2  | 169 | 252 |
| <b>38</b>    | 35,5 | 60 x 1/6"  | 101,6 | 196 | 289 |
| <b>51</b>    | 48,5 | 70 x 1/6"  | 101,6 | 201 | 346 |
| <b>63,5</b>  | 60,5 | 85 x 1/6"  | 114,3 | 246 | 400 |
| <b>76</b>    | 72,9 | 98 x 1/6"  | 114,3 | 252 | 432 |
| <b>101,6</b> | 97,6 | 132 x 1/6" | 154,0 | 276 | 540 |
| <b>104</b>   | 100  | 125 x 1/4" | 154,0 | 276 | 460 |

| Plancha perforada<br>Perforated plate |      |                    |     | Perfil triangular<br>Wedge wire |                    |     |
|---------------------------------------|------|--------------------|-----|---------------------------------|--------------------|-----|
| DN                                    | Size | EPDM               | kg  | Size                            | EPDM               | kg  |
|                                       | D0.5 | F2210-110652025005 |     | T05                             | --                 |     |
|                                       | D1.0 | --                 |     | T10                             | --                 |     |
| <b>25</b>                             | D2.0 | --                 | 1,9 | T20                             | F2210-110652025T20 | 1,9 |
|                                       | D5.0 | --                 |     | T30                             | F2210-110650025T30 |     |
|                                       | 10x1 | --                 |     | T40                             | F2210-110652025T40 |     |
|                                       | D0.5 | F2210-110650040005 |     | T05                             | --                 |     |
|                                       | D1.0 | --                 |     | T10                             | --                 |     |
| <b>38</b>                             | D2.0 | F2210-110652040020 | 3,0 | T20                             | --                 | --  |
|                                       | D5.0 | --                 |     | T30                             | --                 |     |
|                                       | 10x1 | --                 |     | T40                             | --                 |     |
|                                       | D0.5 | F2210-110652050005 |     | T05                             | F2210-110652050T05 |     |
|                                       | D1.0 | F2210-110652050010 |     | T10                             | F2210-110652050T10 |     |
| <b>51</b>                             | D2.0 | F2210-110652050020 | 3,3 | T20                             | --                 | 3,3 |
|                                       | D5.0 | --                 |     | T30                             | --                 |     |
|                                       | 10x1 | --                 |     | T40                             | --                 |     |

MACHO / MACHO  
 MALE / MALE  
 MÂLE / MÂLE

Conexiones según SMS  
 Connections according to SMS  
 Connexions selon SMS

| Plancha perforada<br>Perforated plate |      |                    |     | Perfil triangular<br>Wedge wire |      |    |
|---------------------------------------|------|--------------------|-----|---------------------------------|------|----|
| DN                                    | Size | EPDM               | kg  | Size                            | EPDM | kg |
| 63,5                                  | D0.5 | --                 | 4,2 | T05                             | --   | -- |
|                                       | D1.0 | F2210-110652063010 |     | T10                             | --   |    |
|                                       | D2.0 | F2210-110652063020 |     | T20                             | --   |    |
|                                       | D5.0 | --                 |     | T30                             | --   |    |
|                                       | 10x1 | --                 |     | T40                             | --   |    |
| 76                                    | D0.5 | F2210-110650076005 | 4,7 | T05                             | --   | -- |
|                                       | D1.0 | F2210-110652076010 |     | T10                             | --   |    |
|                                       | D2.0 | --                 |     | T20                             | --   |    |
|                                       | D5.0 | --                 |     | T30                             | --   |    |
|                                       | 10x1 | --                 |     | T40                             | --   |    |
| 101,6                                 | D0.5 | --                 | --  | T05                             | --   | -- |
|                                       | D1.0 | --                 |     | T10                             | --   |    |
|                                       | D2.0 | --                 |     | T20                             | --   |    |
|                                       | D5.0 | --                 |     | T30                             | --   |    |
|                                       | 10x1 | --                 |     | T40                             | --   |    |
| 104                                   | D0.5 | F2210-110650104005 | 7,0 | T05                             | --   | -- |
|                                       | D1.0 | --                 |     | T10                             | --   |    |
|                                       | D2.0 | --                 |     | T20                             | --   |    |
|                                       | D5.0 | --                 |     | T30                             | --   |    |
|                                       | 10x1 | --                 |     | T40                             | --   |    |



70.14048.32.098